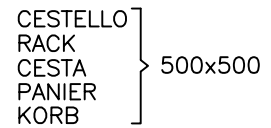
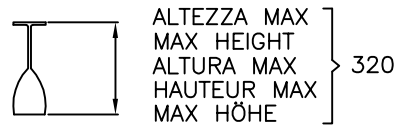
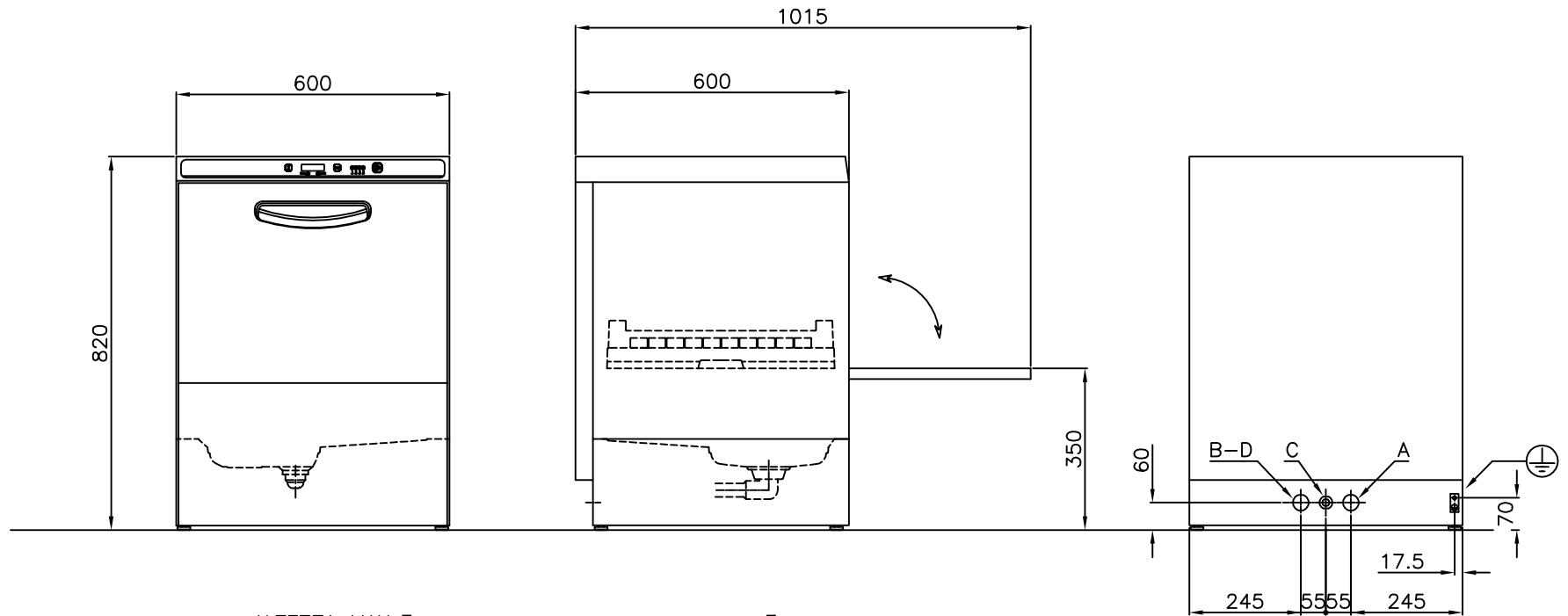
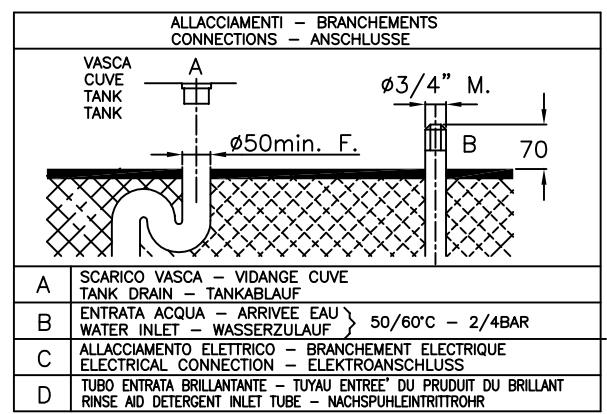
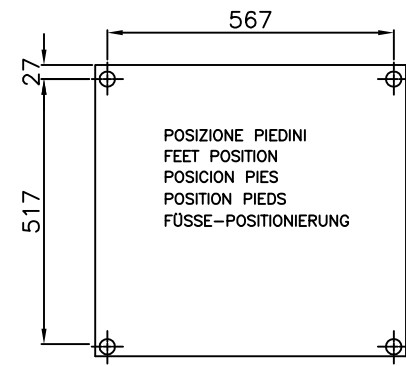


This drawing is the property of and shall not be reproduced for any purpose without our consent



FRONTALE MACCHINA  
FRONT OF MACHINE  
LADO ANTERIOR MAQUINA  
COTE ANTERIEUR MACHINE  
VORDERSEITE



SCALA	MOD.	 VIA LUPATISCOLLO 7 - VENEZIA SUP. (VA)	
DATA	CE 60		
30/10/17			COD.
FIRMA			INH00147
m.v.			